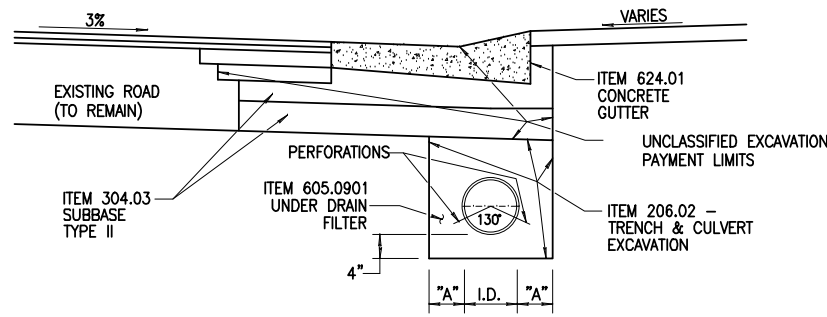


CONCRETE GUTTER

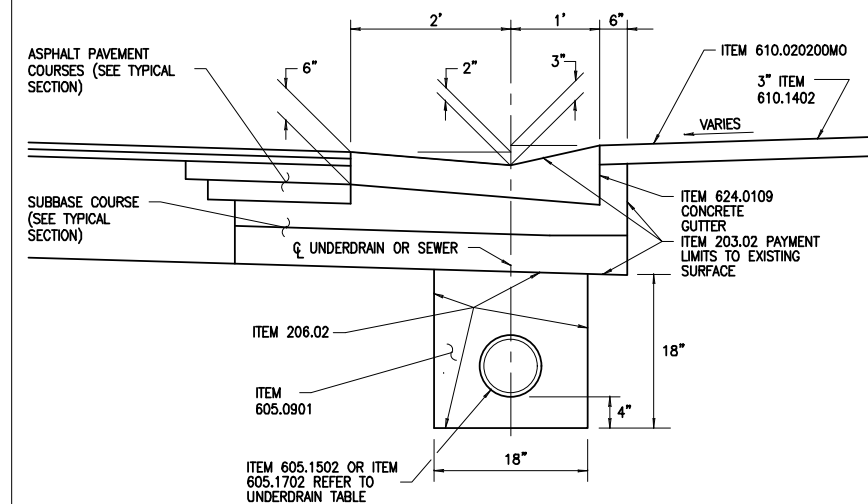
NOT TO SCALE - REVISED: 06/12/23



| PIPE DIA. | DIM. "A" |
|----------------|----------|
| UP TO 1'-6" | 1'-0" |
| 1'-7" TO 3'-0" | 1'-6" |
| OVER 3'-0" | 2'-0" |

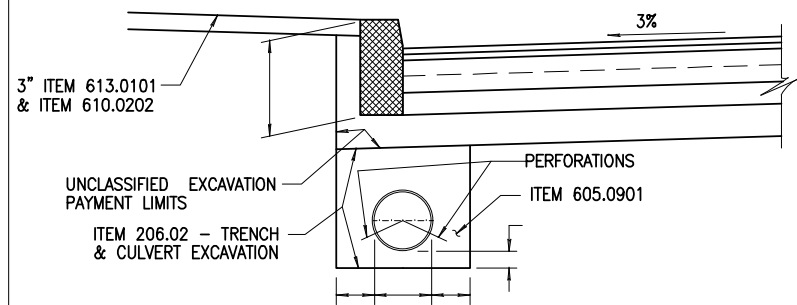
CONCRETE GUTTER WITH PERFORATED STORM SEWER

NOT TO SCALE - REVISED: 06/12/23



CONCRETE GUTTER DETAIL WITH PERFORATED UNDERDRAIN

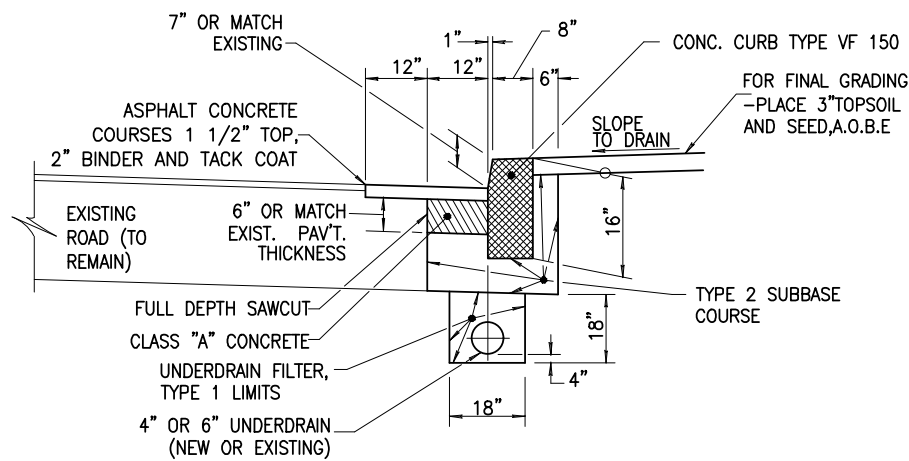
NOT TO SCALE - REVISED: 06/12/23



| PIPE DIA. | DIM. "A" |
|----------------|----------|
| UP TO 1'-6" | 1'-0" |
| 1'-7" TO 3'-0" | 1'-6" |
| OVER 3'-0" | 2'-0" |

CURB WITH PERFORATED STORM SEWER

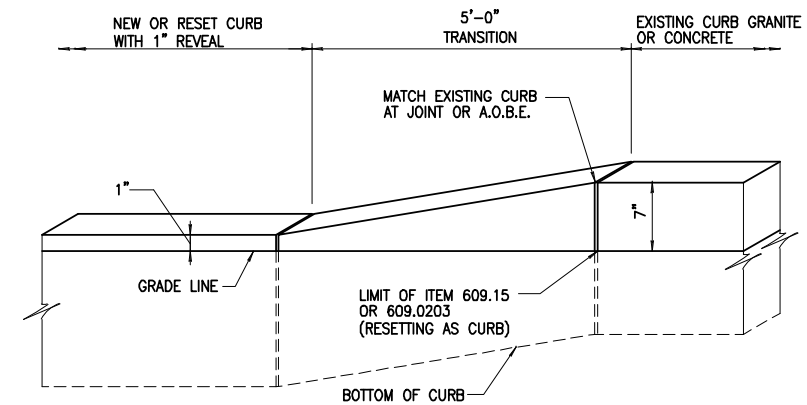
NOT TO SCALE - REVISED: 06/12/23



NOTE:
USE A CONCRETE CURB SECTION MATCHING THE EXISTING SECTION, UNLESS OTHERWISE DIRECTED BY MCDOT

CONCRETE CURB REPLACEMENT WITH PERFORATED UNDERDRAIN

NOT TO SCALE - REVISED: 06/12/23



GRANITE CURB TRANSITION AT NEW DRIVEWAY

NOT TO SCALE - REVISED: 12/21/23

| NO. | DATE | BY: | REVISION |
|-----|------|-----|----------|
| | | | |
| | | | |
| | | | |

CONSULTANT
 Consultant Address: (585) 867-5309
 Rochester, New York XXXXX
 Fax: (585) 867-5309

PROJECT MANAGER: MANAGER
DRAWN BY: DRAFTER

DEPARTMENT OF TRANSPORTATION
 50 WEST MAIN STREET, SUITE 6100
 ROCHESTER, NEW YORK 14614-1231
 UNAUTHORIZED REPRODUCTION OR ALTERATION OF THIS DRAWING IS A VIOLATION OF THE NEW YORK STATE EDUCATION LAW, ARTICLE 145, SECTION 7209

| | |
|---------------------|---------|
| COUNTY ROAD # | |
| PROJECT NAME | |
| PROJECT LIMITS | |
| TOWN | |
| CAPITAL PROJECT NO. | XXXX.XX |